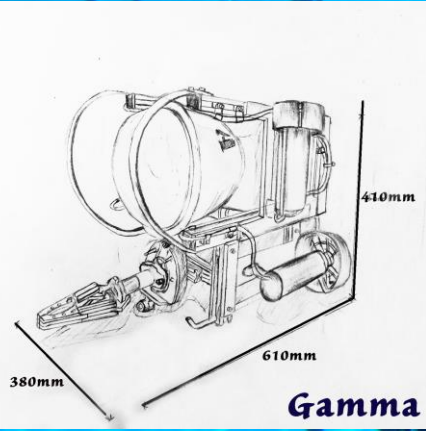
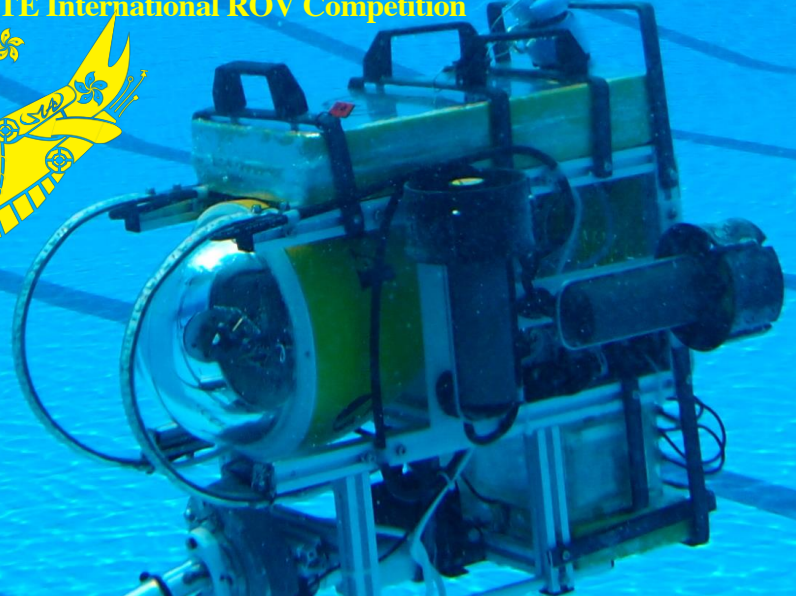
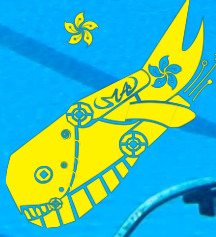


The IET/MATE Hong Kong Underwater Robot Challenge 2014
The 13th Annual MATE International ROV Competition

GAMMA

CMA Underwater Expert Ltd.
CMA Secondary School
Hong Kong S.A.R.
Distance required to travel to the
International Competition: 12,317 kilometers



Total Cost :	HK\$ 37134
Weight:	10 kg
Dimension:	610mm x 380mm x 410 mm
Primary Material:	aluminum
Movement Speed:	0.52 m/s

Special Features:

- Round-nose house design – reduce water resistance
- Optical transceiver – avoid signal disturbance
- Dome camera – redesigned to capture photos

Safety Features:

- Cover of the thrusters
- 20A fuse in place
- No sharp edges
- Volt-meter and Ammeter monitors

